

Boston, Venice, Kodiak

Enviro Wood Fireplace Inserts





Why buy an **Enviro** Wood Insert?

Up to 84.7% Efficiency -

- EPA approved and up to 84.7% efficiency - Enviro makes highly efficient wood inserts to help lower your heating costs.*

Easy-to-light -

- 2 primary injection ports help to start your fire quickly.
- Secondary air tubes deliver super heated air to the fire for a cleaner, more efficient burn.

Long Burn Times -

- Superior design and engineering delivers long burn times - up to 12 hours - perfect for overnight fires*

Large Firebox -

- 18" / 20" logs.*

No Power - No Problem

- Your wood insert will keep you warm without electricity.

Easy Controls -

- Single damper control is effective and easy to operate.

* Depending on the model and fuel

The Boston



The Boston - Diamond Black



Enviro Insert Features

- Clean Burning - EPA tested as low as 3.3 g/hr.*
- Unlimited Lifetime Warranty -Enviro gives you an unlimited lifetime warranty on the firebox baffle.**
- Ultra-strong Air Wash - Our ultra strong air wash keeps the glass clean longer, giving you an unobstructed view of the big, bright, beautiful fire.
- Radiant Heat -Radiant heat is like sunshine. With the largest glass door, Enviro's are the best radiant heaters.
- Convection Heat -The convection fan moves the heat further into your home.

*** See owners manual for details.*



The Boston - Beach



The Boston - Chestnut



Fan Override Switch





Exclusive Performance Features of all Enviro Wood Inserts

- large firebox capacity for long overnight burns
- single, easy-to-use air control adjusts the heat output and regulates the fire
- twin pilot injection ports tuned to deliver fast start-up. These injection ports are 3" above the firebox floor so you can build a good deep ember bed and not affect low burn or start up.
- ultra strong air wash helps to keep the glass clean
- high efficiency 135 cfm variable speed fan with override switch for convection heat
- radiant heat is maximized through the large glass area (187 sq. in.)

The Venice



Venice with Optional Base Shelf





Exclusive Construction Features of all Enviro Wood Inserts

- up to 1/4" thick steel construction
- 1/2" diameter hinges and door handle
- long life c-cast ceramic floating top baffle
- heavy-duty 304 grade stainless steel secondary air tubes for clean burns
- "EasyFit" flue system

The Kodiak



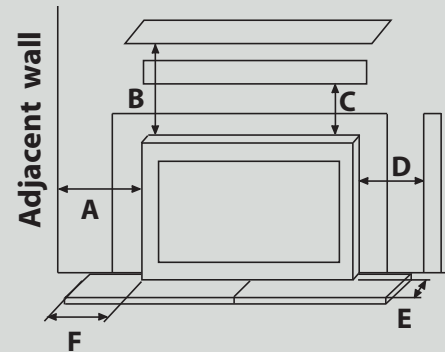
Specifications



| | The Boston 1200 | The Boston 1700 | The Venice 1200 | The Venice 1700 | The Kodiak 1200 | The Kodiak 1700 |
|-------------------------|--------------------|--------------------|--------------------|--------------------|--------------------|--------------------|
| BTU's* | 67,000 BTU's | 74,000 BTU's | 67,000 BTU's | 74,000 BTU's | 67,000 BTU's | 74,000 BTU's |
| Heating area * | 800-1500 sq ft. | 1000-2200 sq ft. | 800-1500 sq ft. | 1000-2200 sq ft. | 800-1500 sq ft. | 1000-2200 sq ft. |
| Burn times * | 6 - 10 hours | 8 - 12 hours | 6 - 10 hours | 8 - 12 hours | 6 - 10 hours | 8 - 12 hours |
| Maximum log size | 18" | 20" | 18" | 20" | 18" | 20" |
| Efficiency* | 82.6 % | 84.7% | 82.6 % | 84.7% | 82.6 % | 84.7% |
| EPA tested emissions | 3.3 g per hour | 4.5 g per hour | 3.3 g per hour | 4.5 g per hour | 3.3 g per hour | 4.5 g per hour |
| Weight | 425 lbs. | 480 lbs. | 335 lbs. | 390 lbs. | 335 lbs. | 390 lbs. |
| Mobile home approved | Yes | Yes | Yes | Yes | Yes | Yes |
| Flue diameter | 6" | 6" | 6" | 6" | 6" | 6" |
| Firebox capacity | 1.85 cu ft. | 2.50 cu ft. | 1.85 cu ft. | 2.50 cu ft. | 1.85 cu ft. | 2.50 cu ft. |
| Standard convection fan | 135 cfm | 135 cfm | 135 cfm | 135 cfm | 135 cfm | 135 cfm |

Clearances to Combustibles

| | 1200 | 1700 |
|---|------------------|------------------|
| A - unit to side wall | 10" | 10" |
| B - top of unit to bottom of 8" mantle | 21" | 24" |
| C - top of unit to max 3/4" combustible facing | 17 1/2" | 19 1/2" |
| D - minimum side facing | 1" | 1" |
| E - front of door to edge of floor protection | 16" (18" CDN) | 16" (18" CDN) |
| F - side/back of unit to edge of floor protection | 6" (8" CDN) | 6" (8" CDN) |



| Minimum Fireplace Size | The Boston | | | | The Venice | | | | The Kodiak | | | |
|--|------------|---------|----------------|---------|------------|---------|----------------|---------|------------|---------|----------------|---------|
| | Masonry | | Zero Clearance | | Masonry | | Zero Clearance | | Masonry | | Zero Clearance | |
| | 1200 | 1700 | 1200 | 1700 | 1200 | 1700 | 1200 | 1700 | 1200 | 1700 | 1200 | 1700 |
| Minimum depth | 14 1/2" | 19" | 15" | 19 1/2" | 13 1/2" | 18" | 14" | 18 1/2" | 13 1/2" | 18" | 14" | 18 1/2" |
| Minimum width at back of fireplace | 22 3/8" | 22 3/8" | 23" | 23" | 22 3/8" | 22 3/8" | 23" | 23" | 22 3/8" | 22 3/8" | 23" | 23" |
| Minimum width at front of fireplace | 32" | 32" | 32 1/4" | 32 1/4" | 27" | 27" | 27 1/4" | 27 1/4" | 27" | 27" | 27 1/4" | 27 1/4" |
| Minimum width at front of fireplace to include shroud when surround is in the forward position | N/A | N/A | 32 1/4" | 32 1/4" | 33 3/4" | 33 3/4" | 34" | 34" | 33 3/4" | 33 3/4" | 34" | 34" |
| Minimum height | 19 1/4" | 19 1/4" | 20" | 20" | 19 1/4" | 19 1/4" | 20" | 20" | 19 1/4" | 19 1/4" | 20" | 20" |

(specs and clearances are approx. only - see technical manual for exact figures)

* Figures will vary considerably with floor plan, house layout and heat loss of house. Due to on-going product development, product appearances and specifications are subject to change without notice. Efficiency and area heated will vary according to location and fuel ** See dealer for details. Certain models may not be available in your area or may require longer lead times for delivery. Approved for sale in Canada and the United States.

"Progressive Burn Technology"

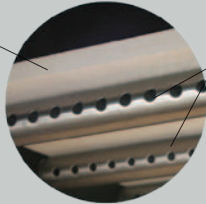
Long Burn Times -

Progressive Burn Technology is designed to keep hot embers in the firebox after a nights burning. This process is achieved by restricting the air in the back of the firebox, leaving hot embers for you to start up your insert again.

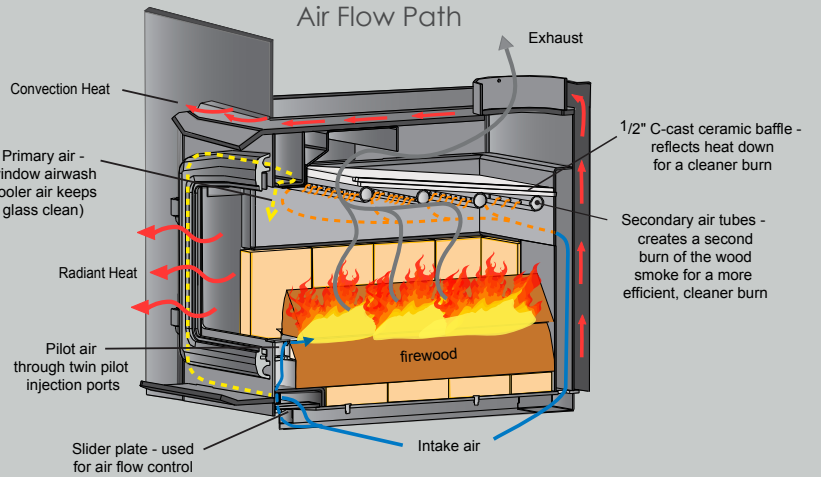
Clean Burning -

Our secondary air tubes add super-heated air to the fire as the burn progresses to the front. This maintains efficiencies and keeps emissions low.

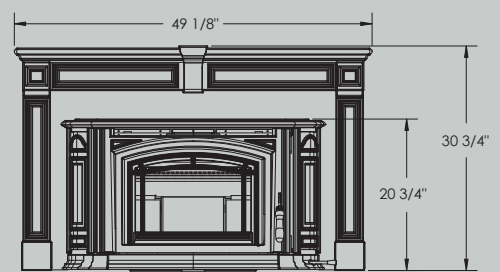
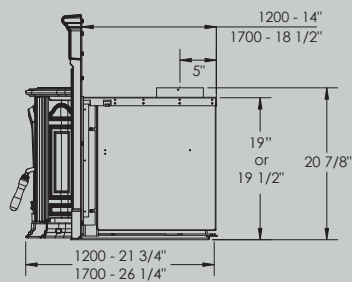
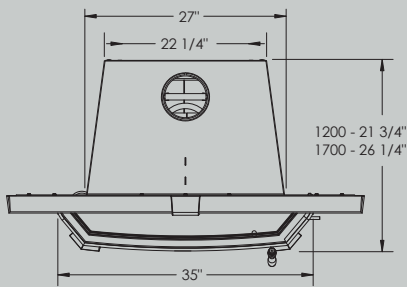
Durable C-Cast Ceramic Baffle Material



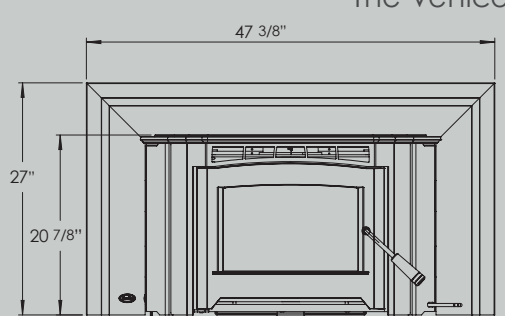
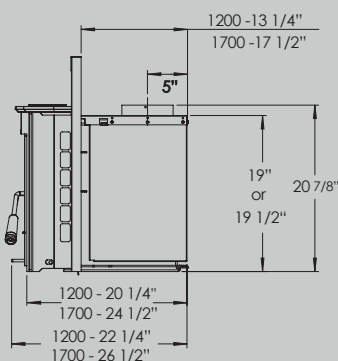
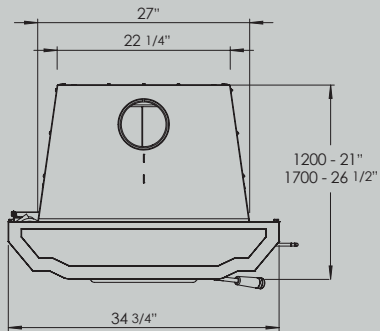
Secondary Air Tubes



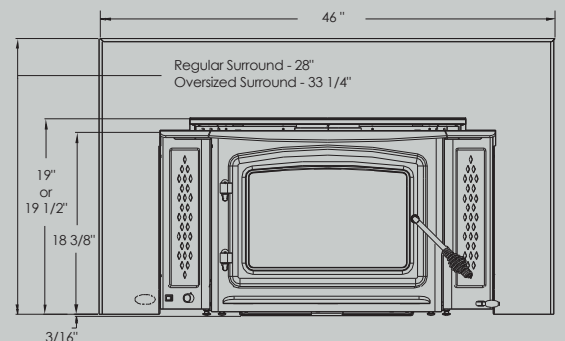
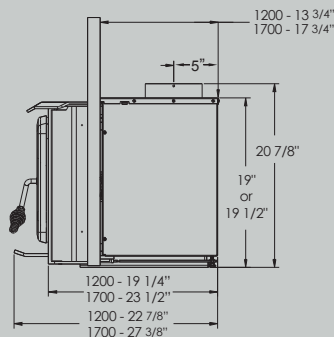
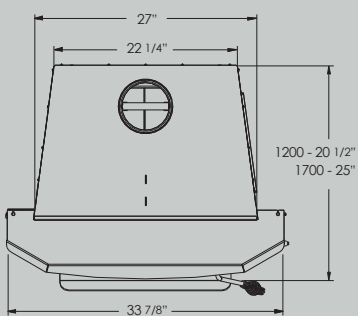
The Boston



The Venice



The Kodiak



The Boston



Traditional Cast Iron -

Our craftsmen have created a beautiful design, with detailed relief and curves that you can only get with cast iron.



Chrome Plated Latch and Wooden Handle -

The dual action door latch is laser cut and chrome plated. The wood handle is turned to fit the contours of your hand.



Variety of Finishes

Available in painted black, chestnut enamel, beach enamel, and diamond black enamel finishes.

The Venice



Contemporary Cast Iron -

The top and door are made of cast iron to give a modern clean appearance.



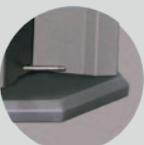
Formed Steel Surround Panel -

The formed steel surround panel adds depth and a modern style to the Venice.



Optional Trimmable Surround Panel -

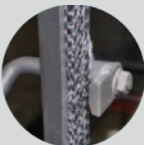
The 46" x 36" trimmable surround allows for more versatile installations in larger openings.



Optional Base Shelf -

Formed steel base shelf (1 2/3" high) gives a new dimension to the Enviro 1200V and the 1700V.

The Kodiak



Heavy Construction -

Heavy gauge steel construction.



Optional Doors -

Painted, Brushed Nickel and 24 kt. Gold Door Options.



Optional Doors with Trim -

24 kt. Gold trim and Nickel trim Doors.

Enviro Wood Inserts



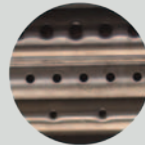
Variable Speed Fan Control -

Enviro offers a quiet yet powerful 135 cfm fan with variable speed control and an override switch to get the most heat out of your Insert.



Up to 20" Log Sizes -

The 1200 FPI will take logs up to 18", and the 1700 FPI will take logs up to 20".



Secondary Air Tubes -

Highest efficiencies mean low cost to heat. Enviro Inserts are up to 84.7% efficient (depending on the model). This translates into lower running costs and cleaner burning.



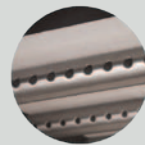
Twin Pilot Injectors -

Twin pilot injection ports tuned to deliver fast start-up and longer overnight burn times.



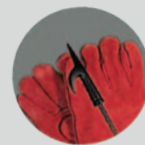
Progressive Burn Technology

Up to 12 hours burn times - designed to keep hot embers in the firebox after a nights burning.



Up to 84.7% Efficient

Efficiency ratings up to 84.7% as tested by OMNI laboratories with EPA Emissions as low as 3.3g/hr.



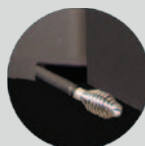
Unlimited Lifetime Warranty -

Enviro is so confident with it's highest quality materials that we are able to offer an Unlimited Lifetime Warranty on baffles. (See dealer for details).



Gloves and Poker -

Every Enviro wood insert comes with a poker and a pair of high temperature gloves.



Largest Viewing Area -

Enviro Inserts have the largest viewing area and largest firebox sizes in their class - 187 sq. inches!

Single Air Control -

Single, easy-to-use air control adjusts the heat output and regulates the fire.



AUTHORIZED DEALER

